

[www.sunflame.com](http://www.sunflame.com)

# Sunflame®

Juice Extractor  
SF-618Dx



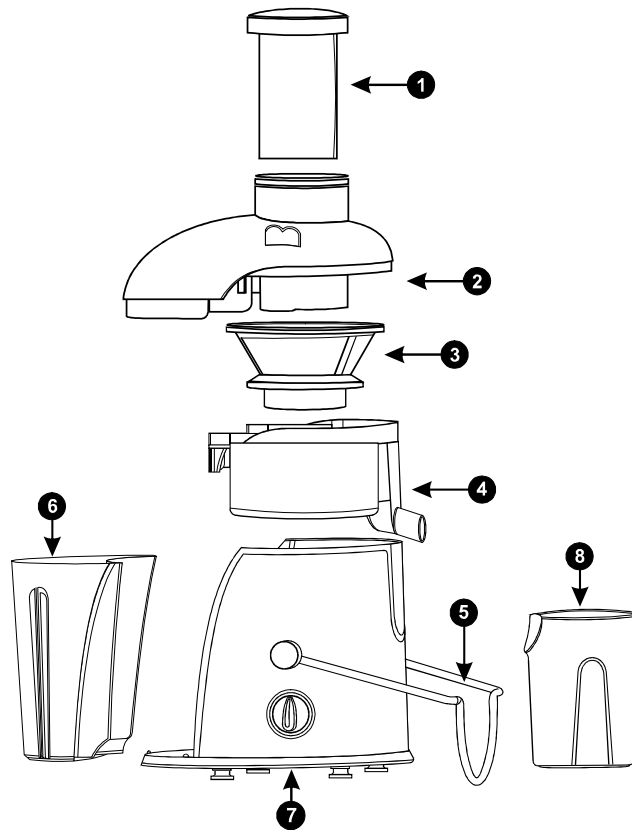
Please read all instructions carefully before using

## Sunflame®

Sunflame Enterprises Private Limited.  
58, Sector 27C, Mathura Road,  
Faridabad - 121 003, Haryana, India

For complaint redressal you may either dial (+91) 129-2275723  
or e-mail us at [customercare@sunflame.com](mailto:customercare@sunflame.com) or  
write in at the above address.

**NAME AND POSITION OF MAIN COMPONENTS**



- |                      |                 |
|----------------------|-----------------|
| 1. Pusher            | 5. Handle       |
| 2. Transparent Cover | 6. Pulp Chamber |
| 3. Sieve             | 7. Main Unit    |
| 4. Center Ring       | 8. Juicer Jug   |

## SAFETY INSTRUCTION

9. The Sieve needs to be handled carefully as the cutters are sharp and can accident while cleaning. Avoid using bare hand while washing the sieve. Soft brush should be used as an alternate.
10. This machine is meant for household usage only.
11. In case of damaged power supply cord and to prevent any further accidents, it should be brought immediately to an authorized service center appointed by the manufacturer for repair. Any tampering by the user will prove to be hazardous.

## MAINTENANCE AND CLEANING

1. The unit needs to be cleaned and dried after every usage.
2. If not using for a long time, please store this machine at a dry and well-ventilated place so as to prevent the motor from being damped.
3. The main unit should not be put in the dishwasher. When cleaning, only wipe with a moist cloth. Other components may be washed directly with water, such as pusher, cover, center ring, pulp chamber and juicer jug.

## PERFORMANCE

1. Your juicer has a big opening on feeder tube which can accommodate large pieces of fruits thus making it easier to operate and function.
2. The product has been designed for simple operation and easy cleaning.
3. The high speed motor has an inbuilt overheat safety protection device for effective and long life of the motor.
4. Safety lock feature on your unit is specially designed, to ensure safety and reliability in use.

## BEFORE FIRST USAGE

1. Please ensure to check input power supply compliance with rated voltage of your product.
2. Clean all dismountable parts before using.(refer to the section of "maintenance and cleaning").
3. While assembling, please carefully refer to the diagram of "name and position of main components" for convenience.
4. Please carefully read the "Safety Instructions".
5. This machine has a safety feature of micro switch. The handle needs to be in secured and locked position for the unit to be operational.
6. For assembling and disassembling the juicer, please hold the feeder tube of the cover with your hand, then push the handle to glide in or out of slot provided on transparent cover.
7. When disassembling the Sieve, first remove the cover and pulp chamber, then turn the sieve up to 30 degrees by holding the juicing nozzle with your hand, and lift , the sieve net will become free from its locked position.

## OPERATION

1. Before using, ensure that the main unit switch button is in Off "0" position in order to avoid, any unnecessary damage to product or harm to operator.
2. First confirm sieve and motor couplers are in position and there is no hard contact between sieve and feeder tube of transparent cover. Place the transparent cover in position, lock the handle in secured position.
3. Ensure all other parts of the units are in position as per detailed diagram shown. Turn on power supply, rotate the switch on desired speed and let the machine run in no-load condition for 5 sec initially. Insert prepared citrus vegetable or fruit into the feeder tube of transparent cover and press with the pusher, evenly and slowly. The juice starts to collect in the juicer jug and the pulp in the pulp chamber.

**Note:** When pressing food with the pusher, the force should be even or indirect. Pressing force shall not be more than 1 kg or too sudden, otherwise it will effect juicing efficiency.

## OPERATING TIME

This machine is designed with a rotary switch with markings of 0, I and II. (0 for Stop, I for softer fruits and II for harder fruits). For long and safety of your motor, please operate the unit for maximum one minute and maintain a gap of another minute before starting juicing. Ensure adequate time interval is given for the motor to cool during repeated and prolonged usages. This will keep the motor cool and ensure longer life for effective and efficient working.

## SAFETY INSTRUCTIONS

1. This machine should not be operated by weak and handicapped person. Children should be kept away from operating these units unless being supervised by adult who has operated the unit earlier.
2. Place this machine on a stable and even platform and operate according to the instructions stated above.
3. Before juicing, first ensure that the sieve and motor coupler are in secured position and there is no rubbing with transparent cover.
4. During initial usage, there could be some smell, smoke from the motor. This will be only in initial phase due to burning of lubricating oil used for motor safety.
5. Ensure all the parts are well cleaned and juice outlet tube is clear to avoid any spill over and non-functioning of the product.
6. Bring the switch to "0" position before moving the handle from its locked position to open position. DO NOT insert your hand or figure in the feeder tube while operating. Use the pusher for pushing the fruit / vegetable down for juicing.
7. In order to prolong life of this machine, over-temperature protective device is mounted on the motor. If the motor has been in use for a long time or overloaded, then it is likely that the motor will get heated and automatically stop operating. After the motor stops, disconnect the power supply, wait for 15 minutes for the motor to cool before resuming juicing operation again.
8. Never leave the operating unit unattended