

# Sunflame®

Coffee Maker  
SF-712



Please read all instructions carefully before using

## Sunflame®

Sunflame Enterprises Private Limited  
58, Sector 27C, Mathura Road,  
Faridabad-121 003, Haryana, India

For complaint redressal you may either dial 1860 330 9999  
or e-mail us at [customercare@sunflame.com](mailto:customercare@sunflame.com) or  
write in at the above address.  
[www.sunflame.com](http://www.sunflame.com)

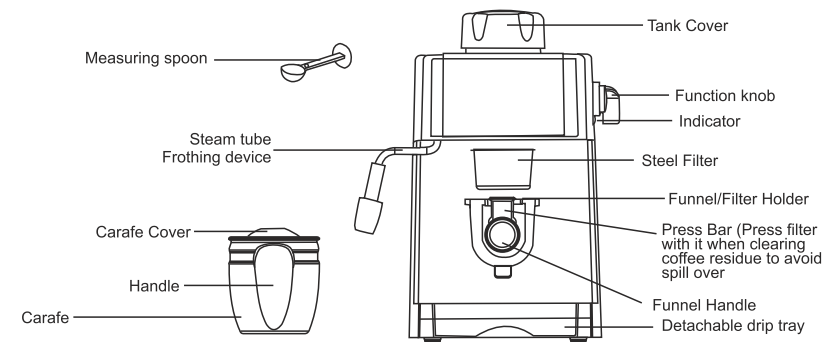
## IMPORTANT SAFEGUARDS

Before using an electrical appliance, basic safety precautions should always be followed including the following:

1. Read all instructions carefully.
2. Before using, always check that the voltage of power (wall) outlet corresponds to rated voltage mentioned on the rating label of the appliance.
3. This appliance has been incorporated with a grounded plug. Please ensure the wall outlet in your house is well earthed.
4. To protect against fire, electric shock or injury, do not immerse the cord, plug or main body of the appliance in water or any other liquid.
5. Always remove the plug from wall outlet before cleaning and when the appliance is not in use. Allow the appliance to cool down completely before removing or replacing any components or accessories for cleaning.
6. Do not operate any appliance with a damaged cord or plug or after the appliance malfunctions, or has been dropped or damaged in any manner. Take the appliance to the nearest authorized service centre for examination and repair.
7. Use of accessories other than those provided by the manufacturer may cause an injury or damage the product beyond repair.
8. Always place the appliance on flat surface or table, do not let the power cord hang over an edge of a table or counter.
9. Ensure that the power cord does not touch hot surface of appliance as this will damage the cord.
10. Do not place the Coffee maker on a hot surface or beside a fire or heating device as this will damage the product.
11. Some parts (steam tube, filter etc.) of the appliance can get very hot during operation. Do not touch with hands directly.
12. During frothing, be very careful not to get burnt by the steam.
13. Do not operate this product without water.
14. Do not remove/disturb the filter holder when the appliance is in operation.
15. Do not unscrew/remove the lid of the water tank while the appliance is in operation. This can result in serious injury. Wait until the brewing cycle is complete and all the water and steam has been used up.
16. Always make sure to place the function knob to 'Off' position before disconnecting the appliance from the wall outlet.
17. In order to disconnect, remove plug from wall outlet. Always remove the cord by holding the plug and never pull by the cord.

18. This appliance is not intended for use by persons (including children) with reduced physical, sensory or mental capabilities, or lack of experience and knowledge, unless they have been given supervision or instruction concerning use of the appliance by a person responsible for their safety.
19. Children should be supervised to ensure that they do not play with the appliance.
20. Close supervision is necessary when the appliance is being used near children. Please ensure that the children do not play with the appliance.
21. This product is meant for household use only.
22. Do not use the appliance for other than intended use.
23. This appliance is not meant for outdoor use.
24. Always store the appliance in a dry environment.
25. Save these instructions for future use.

## KNOW YOUR PRODUCT



### A. BEFORE FIRST USE

1. Remove the coffee maker from the packing box and check that the parts/accessories are in order.
2. Clean all the detachable components/accessories as explained in the section "CLEANING AND MAINTENANCE". Then assemble/replace them completely.
3. Ensure that the steel filter is in position. Place the carafe on the removable shelf.
4. Operate the appliance as explained in the section of "B and C" with no coffee powder in the filter. Repeat the process 2-3 times.
5. Your new coffee maker is ready for use.

### B. MAKING ESPRESSO COFFEE

The preparation of espresso coffee involves hot water being forced through fine grounded coffee under high pressure. This gives espresso coffee its aroma and strong taste. It is essential to use good roasted coffee beans that have been appropriately grounded.

1. Remove the tank cover by turning it in anti-clockwise direction. Pour appropriate water in water tank with the carafe. Do not exceed the maximum capacity.

**Note:** a) The carafe has cup marks indicated on it. The maximum tank capacity is equal to 4 cups water quantity. The minimum tank capacity is 2 cups water quantity.


b) Before pouring the water in the water tank, ensure that the power cord is unplugged from the power outlet and the function knob is in **OFF RELEASE** the position.

2. Replace the tank cover by turning the cover in clockwise direction until it is fastened properly
3. Place the steel filter into the filter holder/funnel and add coffee powder into the filter with the measuring spoon (a spoonful of good coffee powder can make about a cup of top-grade coffee). Then press the coffee powder tightly with the rounded spoon end.

**Note:** Use appropriate quantity of coffee powder to make the desired cups of coffee. The filter has 2-cups and 4-cups marked on it.

4. Make sure that the three equal sized extended locks/parts of the funnel align with the grooves on the appliance. Now insert the funnel into the grooves at the **“INSERT”** position and turn the funnel in anti-clockwise position until the **“LOCK”** position (See Fig.1). Make sure that the funnel has been properly and firmly locked into the coffee maker.

5. Place the carafe on the removable shelf, making sure that it is properly aligned with the funnel opening

6. Plug the power cord into the wall outlet. Turn the function knob to  position, the indicator will illuminate. Wait for about 2 minutes, hot coffee will start flowing out.

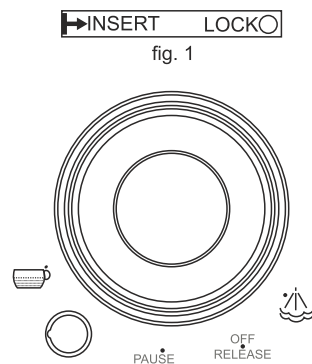
7. After the desired coffee has been obtained, you should turn the function knob to **PAUSE** position, the indicator will go off and the coffee maker will stop working. Your coffee is ready now. Remove the carafe and turn the function control knob to **OFF RELEASE** position.

8. This will release the residual steam in the tank.

**WARNING:** Do not leave the coffee maker unattended during making the coffee at any time.

9. Before removing the filter or opening the tank cover, make sure that the pressure in the tank has been released completely. Please turn the function knob to the **OFF RELEASE** position, the steam in the tank will get released from the steam tube/frothing device. After the pressure has been released, you can remove the filter or open the tank cover.


10. After every use, please ensure to clean the filter of the coffee residue. Turn the filter funnel in clockwise direction and then pour the coffee residue out with the filter firmly presses by the press bar (do not touch



the filter directly with hand, as it will be hot). Allow the filter to cool down completely, then rinse it under running water (when replacing the filter back into the funnel, make to place the press bar back into its original position).

## C. MAKING CAPPUCCINO COFFEE/FROTHING MILK

A cappuccino is an espresso coffee with forth topping made by heating milk with steam

1. Prepare the espresso first as explained under the section-part “B” (MAKING ESPRESSO COFFEE).
2. Fill a jug (not included) with the required amount of milk. The jug should be large enough to allow the milk to expand by around two three times its original volume. It is recommended to use 'refrigerated' whole milk (the milk should not be hot.)
3. Place the jug under the steam nozzle with the frothing device dipped half way into the milk
4. Turn the control knob to the  position, the indicator will light up. After sometime, steam will start passing through nozzle with and milk will start frothing.
5. When sufficient milk froth has been produced, turn the function knob to **PAUSE** position. Then remove the jug and turn the function control knob to **OFF RELEASE** position in order to release the residual steam in the tank.
6. Pour the espresso into cups and pour the milk froth on the top. The cappuccino is now ready. Sweeten to taste and if desired, sprinkle the froth with a little cocoa coffee again.

**Note:** Clean the steam outlet with a wet sponge immediately after the every use. Do take care to avoid getting burnt.




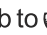
**Note:** We recommend you to sllow the appliance to cool down before making coffee again. Otherwise, burnt odour may be felt in the espresso coffee.

## CLEANING AND MAINTENANCE

1. Make sure to unplug the appliance from the power outlet every use and before cleaning
2. Allow the appliance to cool down completely before attempting to clean it. Clean the housing of coffee maker with a moisture-proof sponge.
 

**Note:** Never immerse the housing/body or power cord in water or any other liquid as this can lead to electric –shock and will also damage the product beyond repair. Never use abrasive materials, chemicals or too much of force to clean the appliance as this will damage the product.
3. Always make sure to get rid of coffee residue from the filter after every use.
4. The removable accessories and carafe should be washed in hot soapy water and then rinsed under clean running water make sure that the accessories are completely dry before them back
5. Store the appliance in a cool and dry place.

## CLEANING MINERAL DEPOSITS

1. In order to make sure that your coffee maker operates efficiently, you should clean it every 2 -3 months in order to get rid of the mineral deposits that may have formed over the time.
2. Fill the Tank with water and descaler (not included ) to the MAX level [the ratio of water to descaler should be 4:1 (please also refer to the instructions on the descaler label /box )]we recommend you to use a "biodegradable household descaler"
3. Fix the funnel with the filter (with no coffee powder in it ) onto the appliance and place the carafe at its designated place. Now follow the instruction as mentioned under part "B"(MAKING ESPRESSO COFFEE)
4. Turn the function knob to  position, the indicator will illuminate. Allow the water to filter out up to two cups mark. Now turn the function knob to position and wait for 5 seconds.
5. Now turn the function knob to  position and let the steam escape for 2 minutes . Now turn the function knob  position to stop operation . Keep the descaler mixture in the unit for at least 15 minutes.
6. Restart the unit and repeat the steps of 4 -5 at least three times.
7. Now turn the control knob to  position to brew unit no descaler mixture is left
8. Now repeat the above procedure with only clean water filled – up to the MAX level. Repeat steps 4- 5 for three times (it is not necessary to wait for 15 minutes after step 5). Keep operating unit no water is left in the tank.
9. Repeat step 8 at least three times to make sure that the internal piping is completely clean.

## TECHNICAL SPECIFICATIONS

POWER SUPPLY : 230VAC 50Hz  
Wattage : 800W

## NOTE

In view of continuous improvement, the design and specifications of the product are subject to change without prior notice.

## TROUBLE SHOOTING

Issue	Cause	Solution
Water leaks out from the lid of carafe	The carafe is not placed properly	Align the carafe properly with the funnel opening
	The level of water in the tank is in excess of the 'MAX' mark	The water level in the tank must be within the 'MIN' and MAX' marking.
Rust formation on the metal parts of the tank	The descaler used is not of the recommended type. It will corrode the metal parts in the tank.	Use the recommended descaler (meant for household use only)
Water leaks from the bottom of coffee maker	There is too much water in the drip tray	Please clean and replace the drip tray
	The coffee maker is malfunctioning	Please contact the authorized service centre for necessary repairs
Water leaks out from the outer side/rim of filter	There is some coffee powder on the filter edge	Clean the outer edge of the filter and replace it back
Acidic taste is felt in the Espresso coffee	Incorrect cleaning of the mineral deposits	Clean the coffee maker as explained in 'before first use' and 'cleaning mineral deposits'
	The coffee powder has been stores in a hot or wet place for a long time and has turned bad	Please use fresh coffee powder. Always store the coffee powder in a cool and dry place, in a re-sealable airtight container in order to maintain its freshness
The coffee maker does not operate	The plug is not properly fixed onto the power outlet or the power outlet is not functioning	Plug the power cord into a wall outlet correctly. If the appliance still does not work, please get the power outlet checked. If it still does not work, contact the authorized service center for necessary repairs
The steam does not forth the milk properly	The steam ready indicator (green indicator) is not illuminated	Only after the steam ready indicator (green indicator) is illuminated, the steam can be used to forth
	The container is too big or the shape is not proper	Use a high and narrow jug
	You have used skimmed milk	Use whole milk or half-skimmed milk

## NOTE

In case of a malfunction, do not try repair the product by yourself. This can damage the product beyond repair, due to improper knowledge and use of inappropriate tools. This can also lead to electric-shock, which can be dangerous. Always contact the nearest authorized service centre for necessary repairs.