

Sunflame[®]

Sunflame Enterprises Private Limited
58, Sector 27C, Mathura Road,
Faridabad-121 003, Haryana, India

Incase of any suggestion / complaint, please
contact customer care at 98109 97700 or
e-mail at customercare@sunflame.com or
write in at the above address.

www.sunflame.com

Cover Back

Sunflame[®]

Chopper
SF-635 Dx



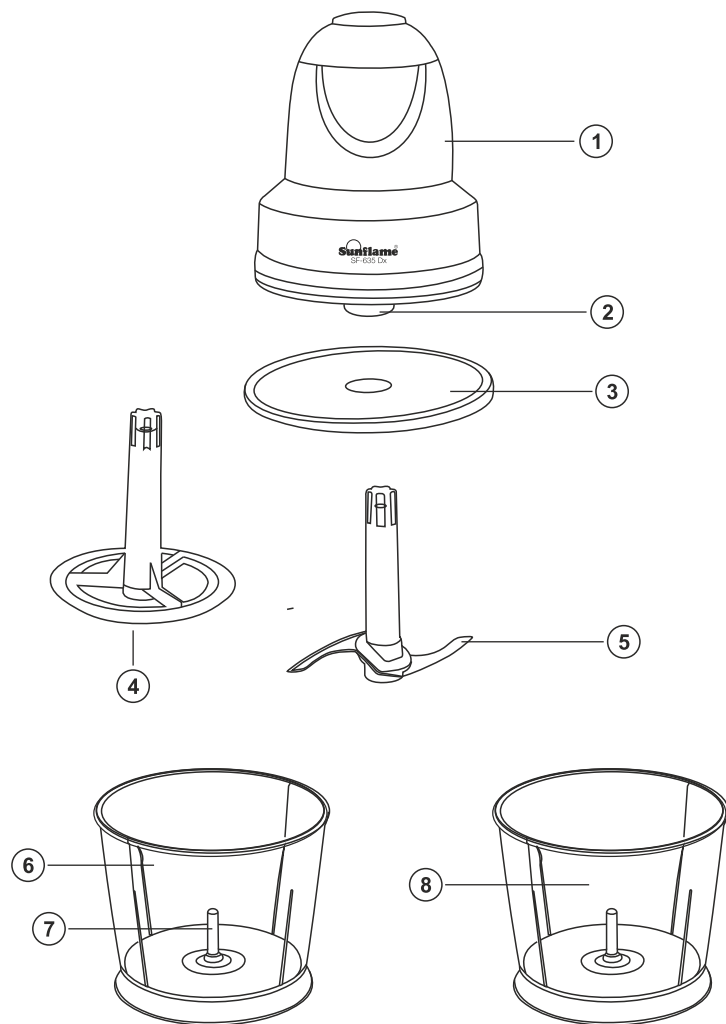
Instruction Manual

Cover Front

UNPACKING YOUR CHOPPER

Carefully unpack your Chopper, as blades are very sharp.

PARTS IDENTIFICATION



1. Operating Motor Unit
2. Drive Spindle
3. Bowl Cover
4. Whisking Disc
5. S.S. Blade Moulded
6. Bowl
7. SS Pin
8. Extra Bowl

TECHNICAL SPECIFICATIONS

| | |
|-------------------|---------------------------------------|
| Voltage | 250W, 230V, 50Hz AC |
| Rating | 1 Minute Maximum Continuous |
| Speed Control | PUSH START - SINGLE SPEED |
| Motor Speed (RPM) | 3600 (approx) - No Load |
| Weight | 0.9 Kgs approx |
| Capacity of Bowl | 400 ml. max. (Depends on Ingredients) |

IMPORTANT SAFEGUARDS

The use of this electrical appliance requires following safety rules to be followed:

- Always ensure to unplug the machine from the power outlet before putting on or removing the blades, and before cleaning.
- Place/remove the blade on the S.S. pin of chopper bowl carefully to avoid injury to hands.
- Ensure that S.S. blade/Whisking disc has been placed properly before operating the chopper.
- Do not use your Sunflame Chopper without bowl cover in place.
- Supervise your Sunflame Chopper closely while in use.
- Do not operating the Sunflame Chopper while empty.
- Never place any cloth or plastic sheet under the basic unit, as it may get sucked up and block the ventilation holes in the base during operation.
- Never use attachments other than those provided.
- Never touch the moving parts- blades or disc with your hands or any other object while the chopper is in operation to avoid personal injury or any damage to the appliances.
- The bowl may heat up during dry operation due to friction (it has nothing to do with the motor). let it cool for a few seconds and then remove.
- Never wash or immerse the motor unit in water. Clean it with a soft damp cloth.
- Clean bowl only with a brush and never with any metal object such as knives, spoons, etc.

USING YOUR CHOPPER

- Slide chopping blade inside the bowl on S.S. pin. Put ingredients to be processed in the bowl.
- Place bowl cover on bowl, make sure it fits properly into slot of bowl. Place the motor Unit on the bowl cover.
- Plug the unit & check by pressing the button on the operating Motor Unit, that S.S. blade/Whisker is properly located into drive spindle. Your Chopper is ready for use.
- Press the Operating button the on Motor Unit, in short intervals to see the consistency you need.
- Do not run the unit for long duration as the motor is designed for a maximum run of 60 seconds at one go. Most of the function, like, making puree, chopping, whisking, takes 15-30 sec. max.
- Some foods & vegetables may discolor the plastic. To remove this rub with a cloth dipped in vegetable oil immediately after finishing your job.
- Ensure that all the components are dry before the Chopper.

OTHER SAFETY CONSIDERATIONS

To protect against fire, electric shock and personal injury do not immerse cord, plug or body in water or other liquid.

Do not operate any appliance with a damaged cord or plug or in case the appliance malfunction.

Do not use accessories not recommended by the manufacturers as there is the danger of fire, electric shock or personal injury.

Do not place any part of chopper on or near a hot gas or electric burner or in a heated oven.

Do not allow children to use this Chopper. Children are vulnerable in the kitchen particularly when unsupervised.

The power cord should reach the plug points without straining the connections.

Do not let the power cord hang over the edge of a worktop where a child could reach it.

Do not let the cord run across an open space e.g between a low socket and table.

Do not let the cord run across a cooker or toaster or other hot area which might damage the cable.